



MechSim3D
Innovate – Simulate – Educate

CAPABILITY STATEMENT

2025



Company Overview

MechSim3D is at the forefront of the maintenance industry, offering cutting-edge simulation software that transforms the approach to daily maintenance tasks and job execution

By streamlining data entry, enhancing efficiency, accuracy and reducing unforeseen defect repairs, our solutions effectively cut out the middleman when it comes to administration

The result is significantly improved operational planning for a wide range of maintenance tasks.

We specialize in interactive 3D technologies to optimize job execution enhance preventative maintenance and streamline inspection processes.

With a diverse development team boasting over 25 years of experience we are well-equipped to stand out from our competitors.

MechSim3D uses cutting edge technology that can benefit any industry. Our 3D solutions don't require additional software are fully customizable and can be built on virtually any device running any operating system. To be used anywhere anytime.

COMPANY DETAILS

Narrabri, NSW 2390

0487481468

contact@mechsim3d.com.au

mechsim3d.com.au

MechSim3D Pty Ltd
ABN: 21671991736

Purpose

Optimisation

Whether in manufacturing, mining, agriculture, or any other sectors, MechSim3D aims to empower organizations to improve their operations and outcomes by leveraging state-of-the-art simulation technology.

MechSim3D's purpose goes beyond just offering sophisticated simulation technology. It is driven by a commitment to innovation and a passion for helping industries achieve their objectives.

MechSim3D's primary purpose is to provide advanced mechanical 3D simulation solutions to industries.

To optimize



Our Services

Whether it's cutting-edge 3D simulations or custom-built software, we create tools that make training, safety, and day-to-day maintenance more efficient and impactful.

We design fully customizable and scalable applications for iOS, Android, and Windows, seamlessly integrating with our AWS databases to keep your data accessible and secure.

From mobile apps to high-performance web applications, our solutions are built to work as hard as you do.

Our application developers craft scalable and user-friendly apps tailored to industry needs, while our software engineers build robust, reliable systems that drive innovation and seamless performance.

3D generalists create immersive models and simulations that redefine training and safety, and our project managers ensure every project is delivered on time and on budget with exceptional attention to detail.

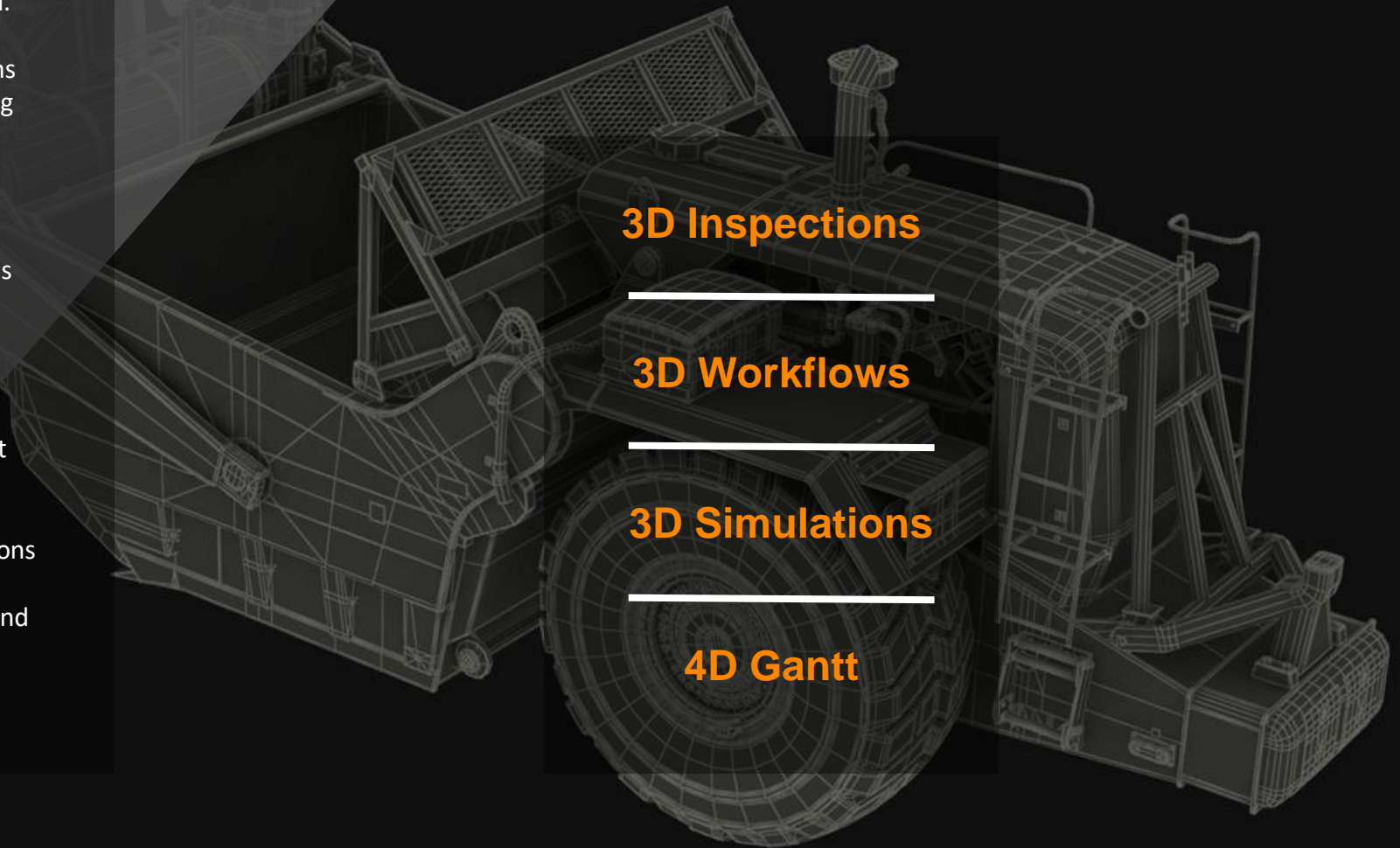
MechSim3D is committed to tailoring the below offerings to meet specific requirements of each client, ensuring optimal results.

3D Inspections

3D Workflows

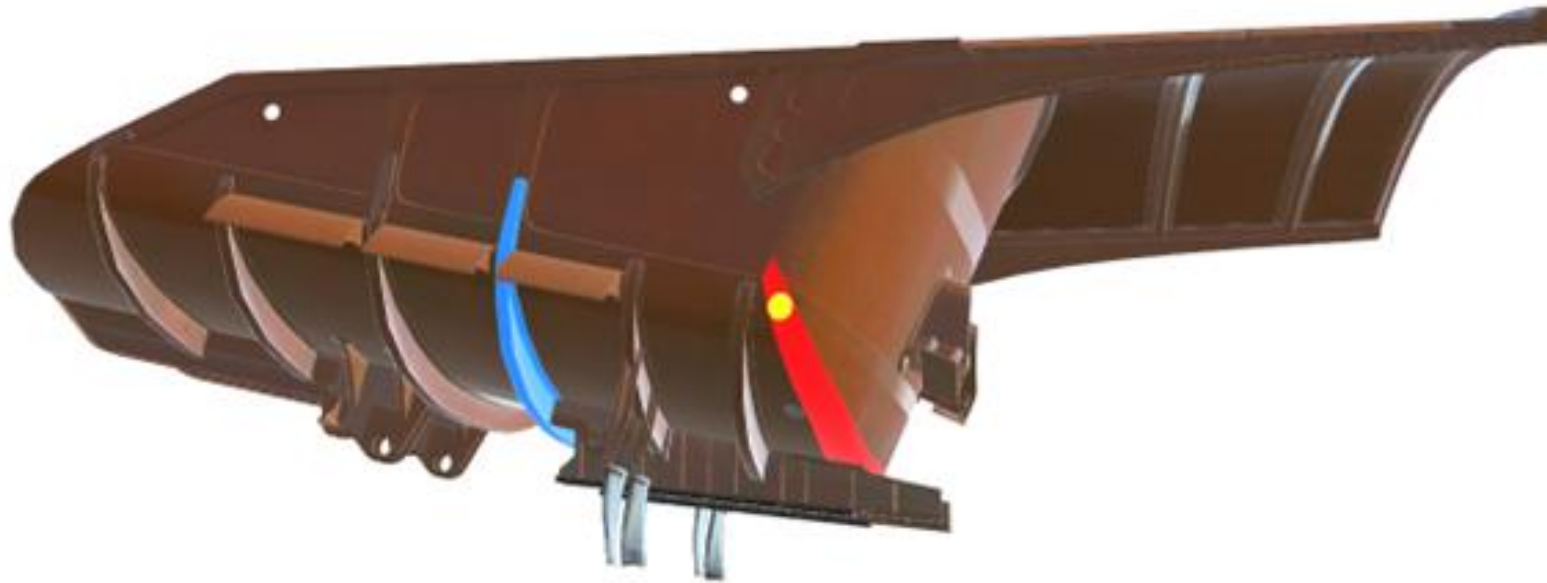
3D Simulations

4D Gantt



3D Inspections

3D inspections digitize asset assessments with high-fidelity visual data, eliminating manual errors and enabling real-time analytics and integration.



-  Diagnostic by Grid Points
-  Add Marker

Defect Placement

Front / Floor Plate Joint

Add Photo

Show Photo

INFO

Delete Marker



3D Workflows

Interactive 3D simulations provide immersive training experiences, enabling workers to understand complex tasks and safety procedures more effectively and more importantly – Risk free

3D Simulations

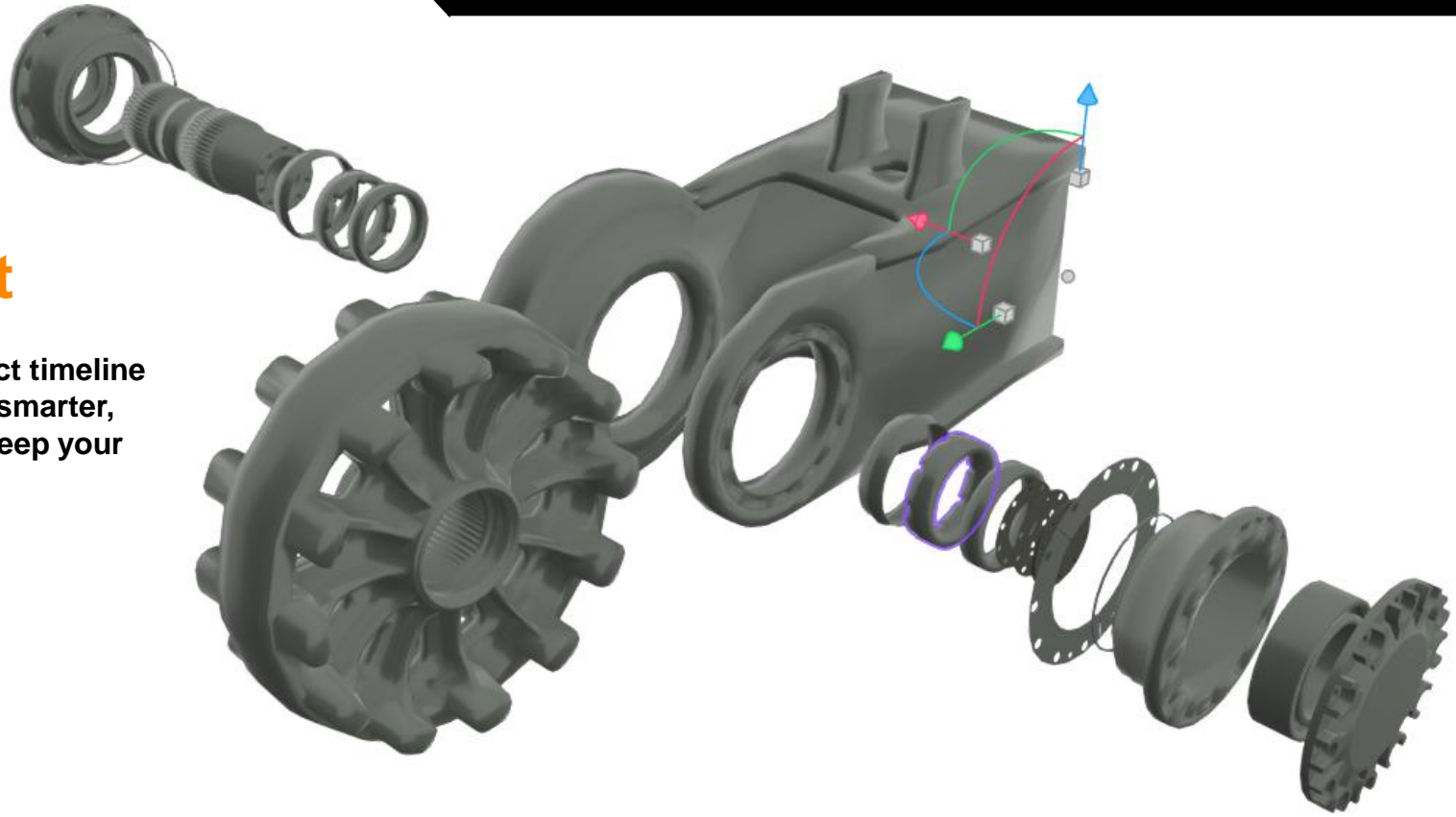
Digital simulations reduce on-site risks by allowing user interaction without direct exposure to hazardous environments.



- Models
- Assem7^Track Final Drive -
 - + Axle Sun Gear
 - + M5-20Z-A
 - + taper roller bearing_skf SKF - 33114 - 20,DE,AC,20
 - + taper roller bearing_din DIN 720 - 30310 - Full,DE,AC,Full
- + Engrenagem Planetaria Z20
- + Engrenagem Planetaria Z20
- Engrenagem Planetaria Z20
 - + M5-Z20
 - + needle roller bearing_nrbb_skf SKF - RNA 4910 - Full,DE,AC,Full
 - + needle roller bearing_nrbb_skf SKF - RNA 4910 - Full,DE,AC,Full
- + Assem5^Track Final Drive -
- + Assem6^Track Final Drive -
- Engrenagem Planetaria Z20
 - + M5-Z20
 - + needle roller bearing_nrbb_skf SKF - RNA 4910 - Full,DE,AC,Full

4D Gantt

Visualise your entire project timeline in 3D with 4D Gantt—plan smarter, detect clashes early, and keep your schedule on track.



Task Mode	Work Order	Task Name	Duration	Start	Finish
0		Tray Build	123.75 day:	Sat 12/11/22	Sat 18/03/23
1		3D model build	123.75 days	Sat 12/11/22	Sat 18/03/23
2		Stage 1 - Create 3D model, UV map, set markers	31.75 days	Sat 12/11/22	Wed 14/12/22
3		Stage 2 - Import into Unity, Create user interface, write code	21 days	Tue 27/12/22	Tue 17/01/23
4		Stage 3 - Write code for database, user interface	60 days	Tue 17/01/23	Sat 18/03/23
5		Database / Server	58 days	Mon 2/01/23	Wed 1/03/23
6		create database on server	58 days	Mon 2/01/23	Wed 1/03/23
7		Create legals	97.75 days	Mon 21/11/22	Wed 1/03/23
8		service agreement	3 days	Mon 21/11/22	Thu 24/11/22
9		terms and conditions	7 days	Thu 24/11/22	Thu 1/12/22
10		completed	0 days	Wed 1/03/23	Wed 1/03/23

Industries we serve

MechSim3D has versatile solutions that can cater to the specific needs of diverse industries, including mining, the resource sector, agriculture and the oil and gas industry making it a valuable tool for enhancing operations and efficiency across the board.

Mining

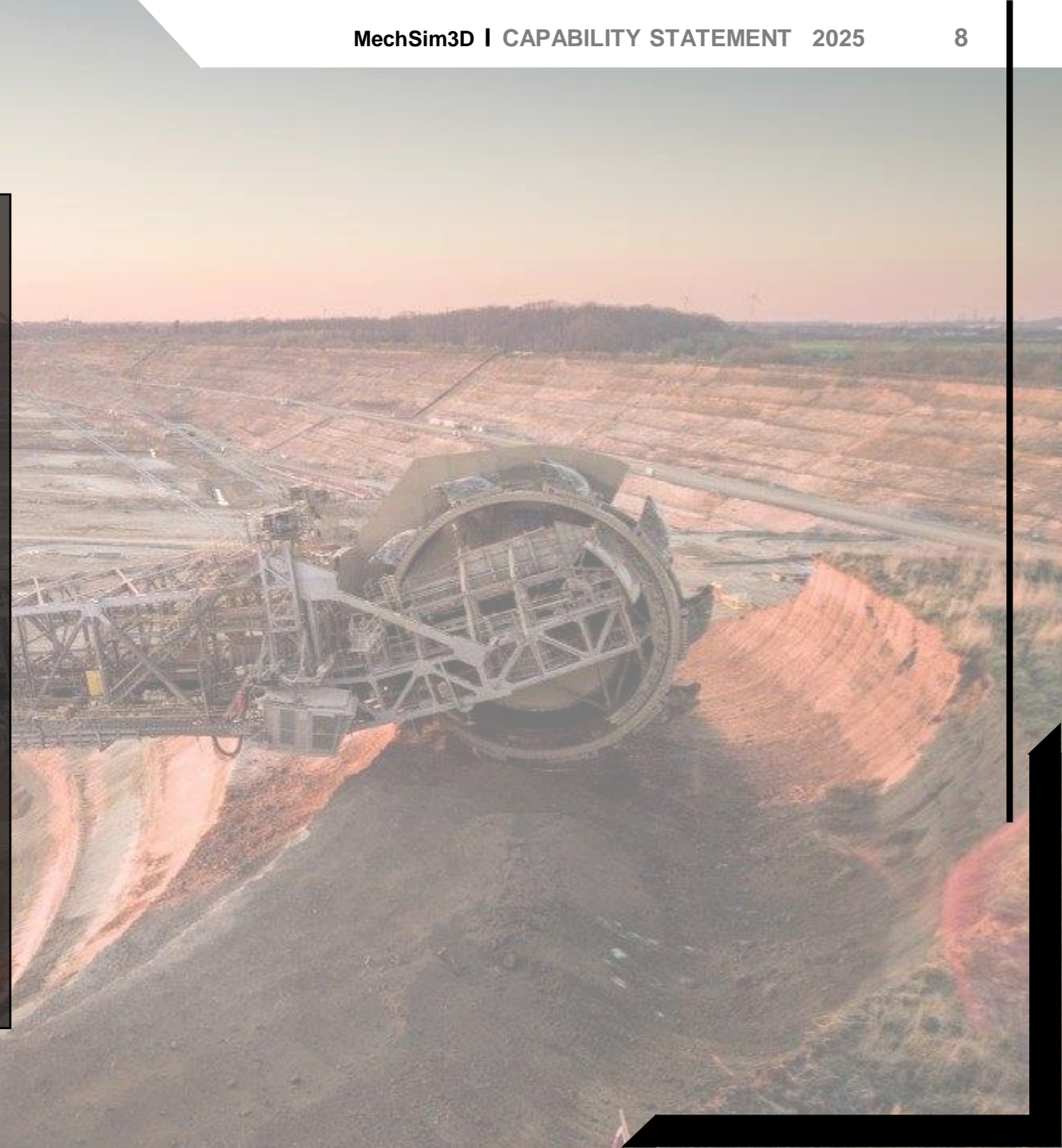
Agriculture

Resources

Oil and gas

Light vehicle

Heavy vehicle



EXPERTISE

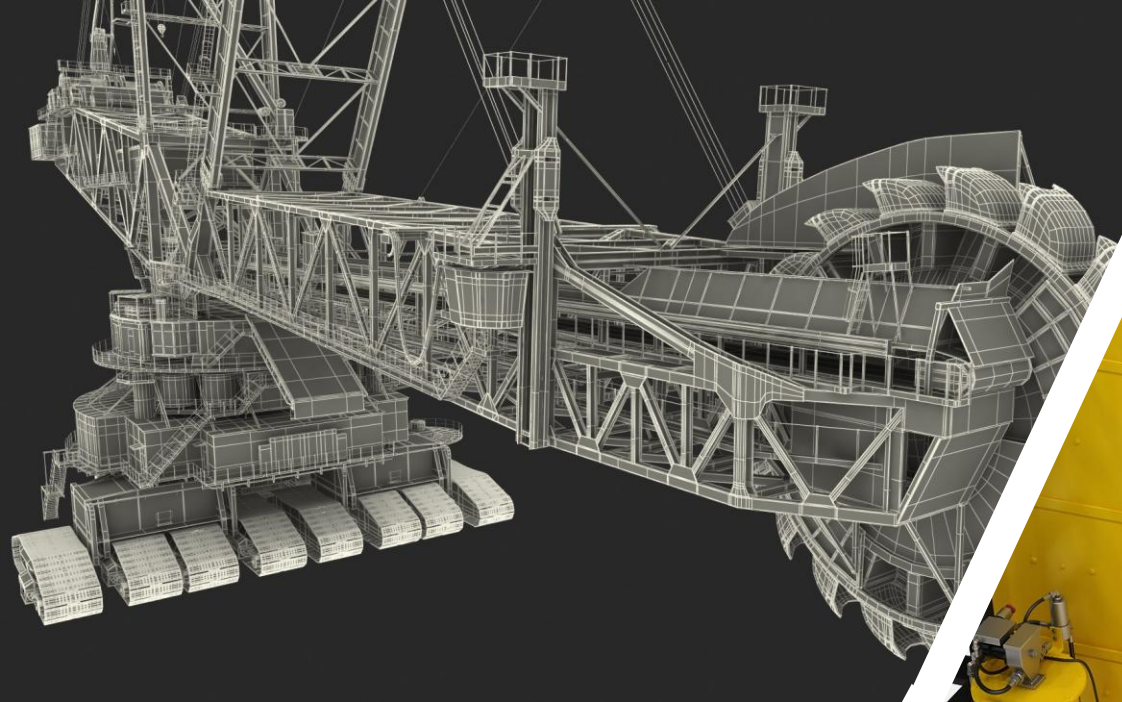
Our 3D app development company stands apart from the typical 3D app development businesses. We're proud to employ a diverse team of qualified tradespeople and technology experts.

We are not just a team of software engineers, app developers, and code writers. When we design 3D interactive mechanical applications, we believe in the power of integrating trade qualified professionals into our team. This collaboration results in more precise, secure, and efficient solutions.

The expertise of these professionals complements the skills of our digital design team, ensuring that our final applications faithfully replicate and simulate mechanical systems. These applications prove to be invaluable for inspection, training, maintenance, and a wide range of other applications.

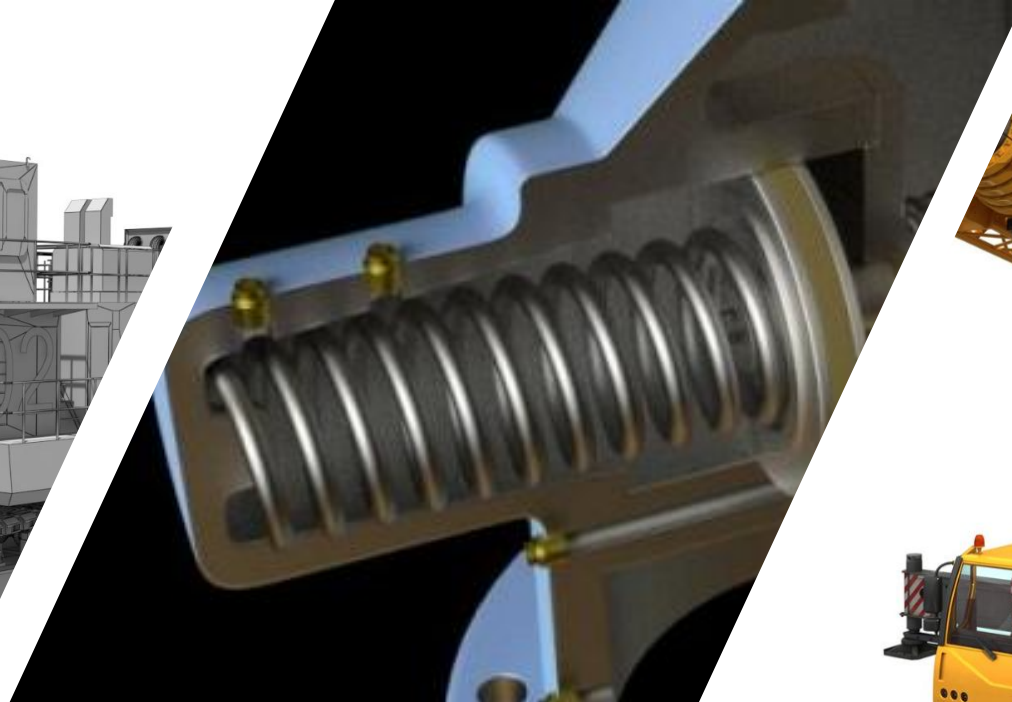


MechSim3D strives to simplify processes for you and your team

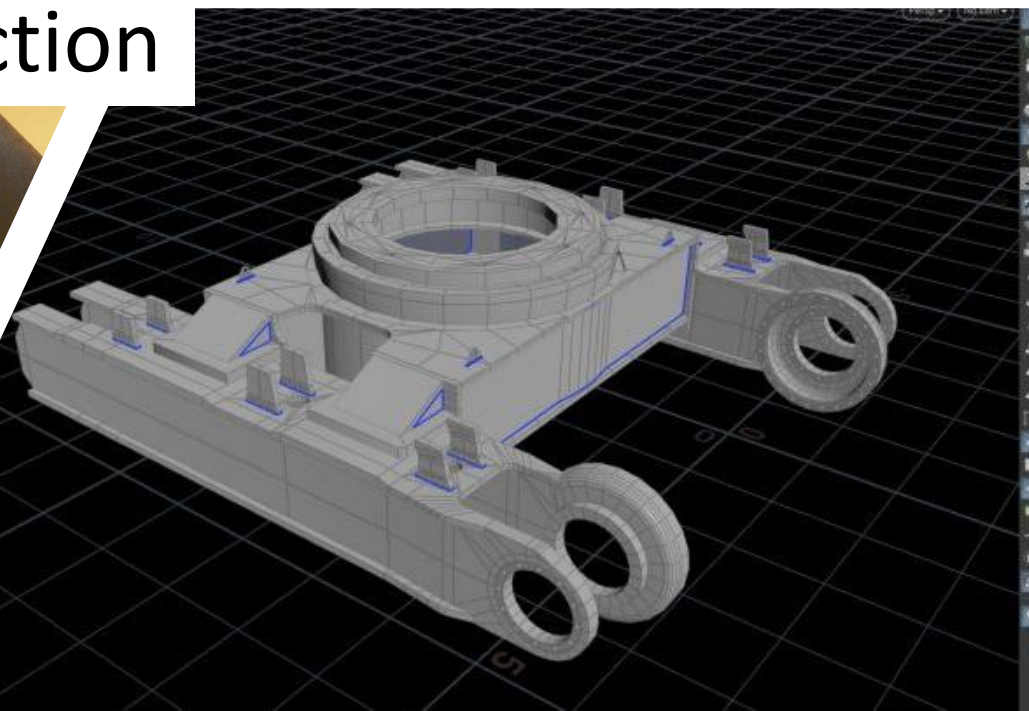


Collection selection





Collection selection



Contact Us

Narrabri, NSW 2390

0487481468

contact@mechsim3d.com.au

www.mechsim3d.com.au

MechSim3D Pty Ltd
ABN: 21671991736



MechSim3D

Innovate – Simulate – Educate



AUSTMINE
Smart Mining
MEMBER
2023 / 2024

me
University of
New England

SRI.
SMART REGION
INCUBATOR